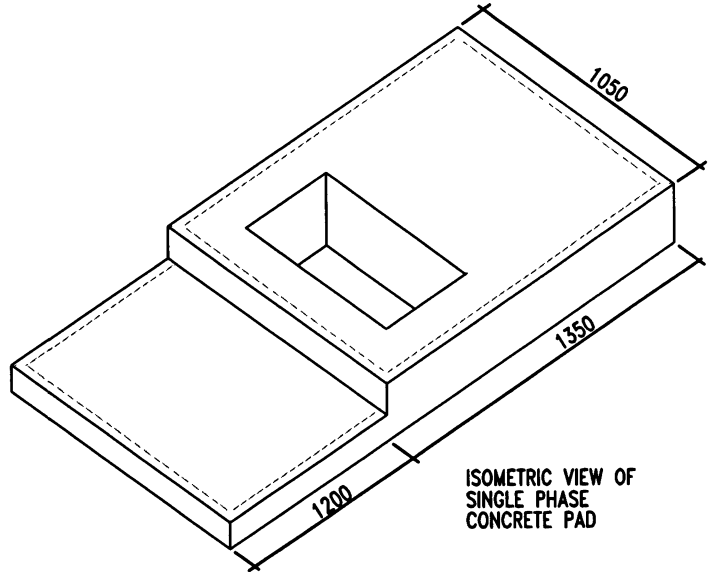
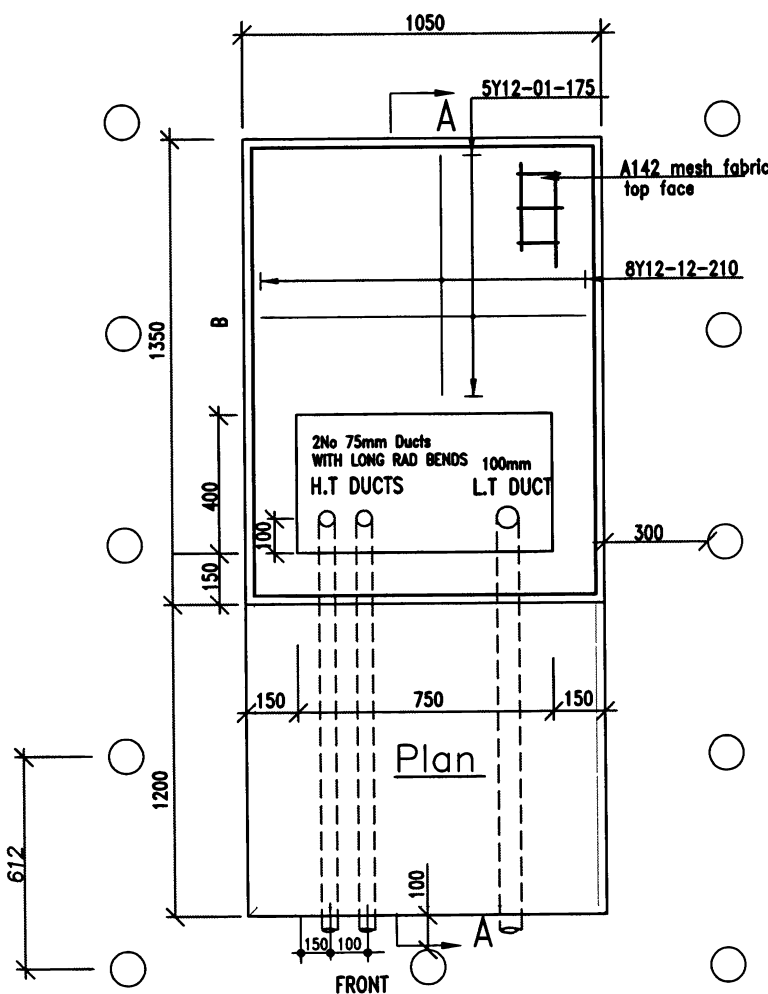
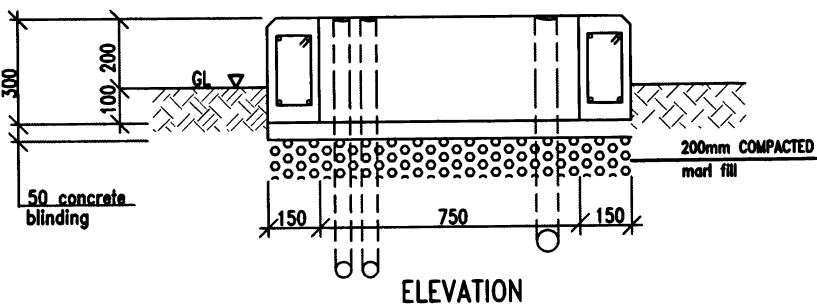


SECTION A-A



NOTES

1. Number and size of L.T ducts will depend on customers requirements.
2. Transformer to be earthed to customer's earth mat and tied to system earth.
3. High tension (H.T) and Low tension (L.T) ducts to be buried to a minimum depth of 750mm.



CONCRETE PAD DETAILS  
SINGLE PHASE PADMOUNT  
TRANSFORMER